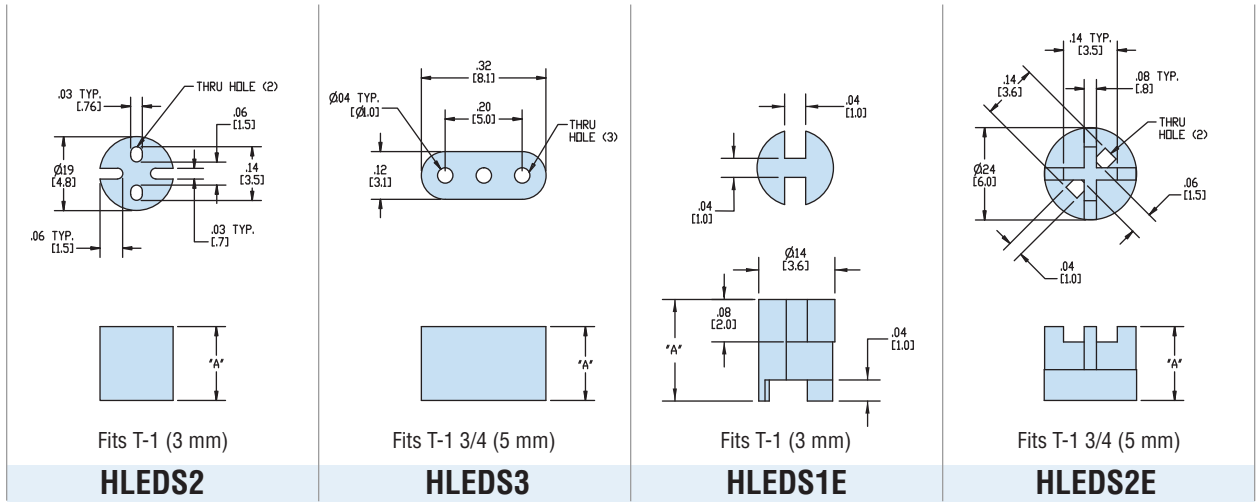




## Heyco® PVC and Nylon LED Spacers



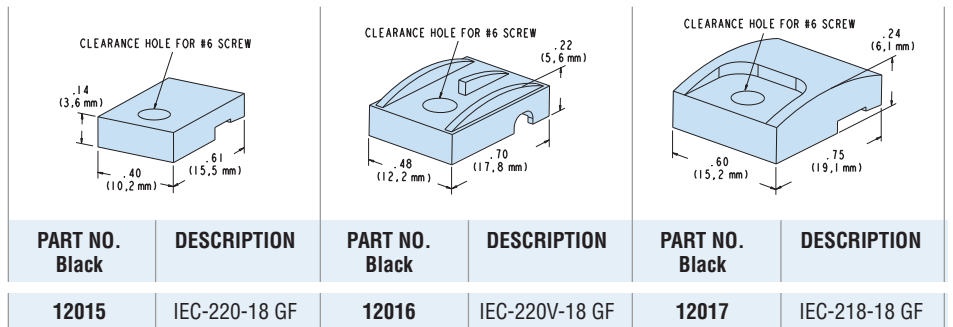
A		PART NO. Black PVC*	DESCRIPTION	PART NO. Black PVC	DESCRIPTION	PART NO. Natural	DESCRIPTION	PART NO. Natural	DESCRIPTION
in.	mm.								
.187	4,8			<b>11025</b>	HLEDs3-03	<b>11032</b>	HLEDs1E-03	<b>11041</b>	HLEDs2E-03
.250	6,4	<b>11019</b>	HLEDs2-04	<b>11026</b>	HLEDs3-04	<b>11033</b>	HLEDs1E-04	<b>11042</b>	HLEDs2E-04
.375	9,5	<b>11020</b>	HLEDs2-06	<b>11027</b>	HLEDs3-06	<b>11034</b>	HLEDs1E-06	<b>11043</b>	HLEDs2E-06
.500	12,7	<b>11021</b>	HLEDs2-08	<b>11028</b>	HLEDs3-08	<b>11035</b>	HLEDs1E-08	<b>11044</b>	HLEDs2E-08
.625	15,9	<b>11022</b>	HLEDs2-10	<b>11029</b>	HLEDs3-10	<b>11036</b>	HLEDs1E-10	<b>11045</b>	HLEDs2E-10
.750	19,1	<b>11023</b>	HLEDs2-12	<b>11030</b>	HLEDs3-12	<b>11037</b>	HLEDs1E-12	<b>11046</b>	HLEDs2E-12
.875	22,2					<b>11038</b>	HLEDs1E-14	<b>11047</b>	HLEDs2E-14
1.000	25,4					<b>11039</b>	HLEDs1E-16	<b>11048</b>	HLEDs2E-16

Standard as color noted.

\*V-0 material available, consult Heyco.

For Heyco PCB Surface Mount Miniature Connectors for LED PCB's, contact Heyco.

## Heyco® Transistor Insulators



	HLEDs2	HLEDs3	HLEDs1E & HLEDs2E	Transistor Insulators
Material	PVC	PVC	Nylon 6/6	Nylon Glass-filled 6/6
Flammability Rating	94HB	94HB	94V-2	94HB
Temperature Range	32°F (0°C) to 185°F (85°C) (All)	see HLEDs2	see HLEDs2	-22°F (-30°C) to 284°F (140°C)